

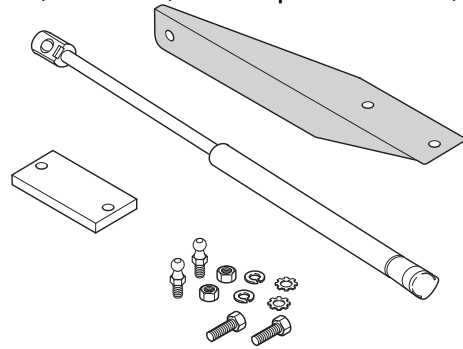


Trunk Lift: Installation Instructions

Tools needed: 10mm wrench, two 1/2" wrenches, screwdriver, hammer, center-punch or nail, electric drill, 1/8" and 5/16" drill bits.

1. This lift fits all Miata's. Confirm that your kit contains:

- 1 bracket, 2 ball studs, 2 split washers, 2 nuts
- 1 rectangular spacer, 2 bolts, 2 star washers
- 1 gas charged prop



2. Open your trunk and remove the jack handle.

3. For '94 and newer models, remove the carpeted panel on the left side. A small flat screwdriver can be used to pop the plastic center retainers.

4. Remove the left side metal panel (four 10mm bolts).

5. Assemble a ball stud to the bracket as shown in figure 1.

6. Remove the two 10mm bolts shown in figure 2 and then fasten the bracket and spacer in this spot as in figure 3 (use the star washers here).

7. Remove the correct torsion spring, by prying with a screwdriver on the passenger side; see figure 4. Be careful to keep your fingers clear. It is helpful to have a second person support the trunk lid during this operation.

8. Now locate the proper spot on the hinge arm for the second ball stud. Line up the riveted hook with the hinge arm as in figure 5 to find this spot.

9. Be sure to center-punch this location so your drill bit doesn't drift; this location must be accurate for proper operation.

10. Drill through this location first with a 1/8" bit, and then with the 5/16" bit. Place a towel underneath to catch the shavings as they are hard to remove from your carpet!

11. Install the second ball stud (figure 6), pushing the riveted hook above and out of the way.

12. Orient the prop with the fat diameter upwards, and snap it onto the ball studs using a "shoe-horn" motion. See figure 7.

13. Slowly close your trunk lid to test the new prop. Then reinstall the metal trunk panel, carpeted panel, and jack handle. Test again. Sometimes the metal trunk panel needs to be bent outward slightly to avoid a rub condition.

14. Note: the remaining torsion spring can provide more lift force if desired by adjusting the driver's side of the spring to the high setting (see step #7).

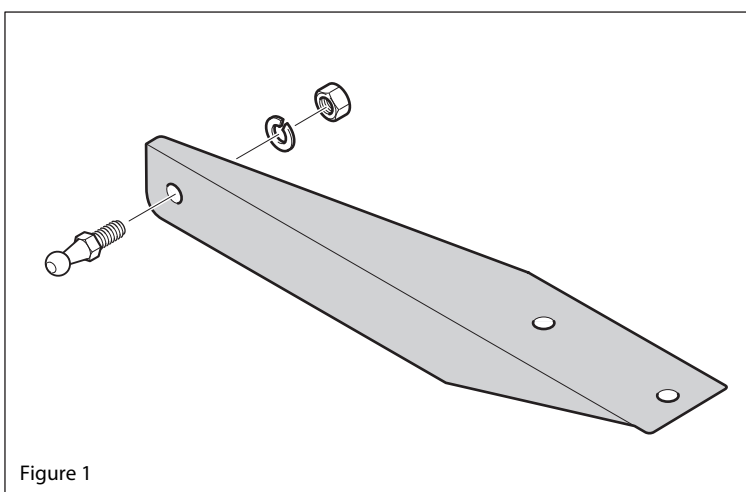


Figure 1

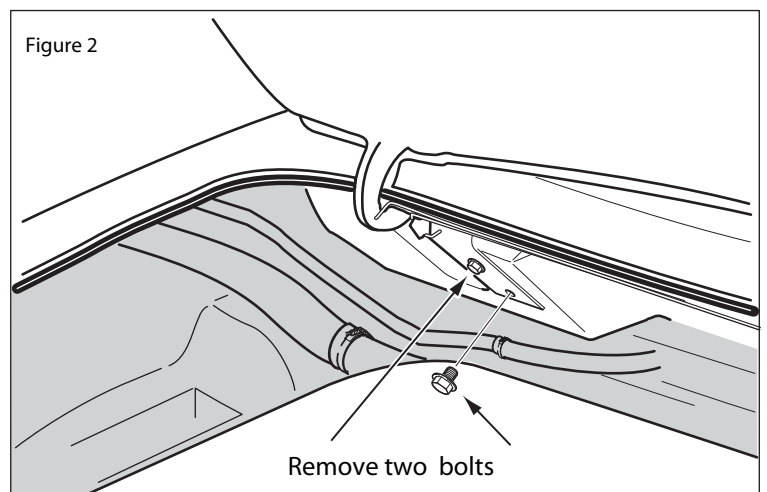
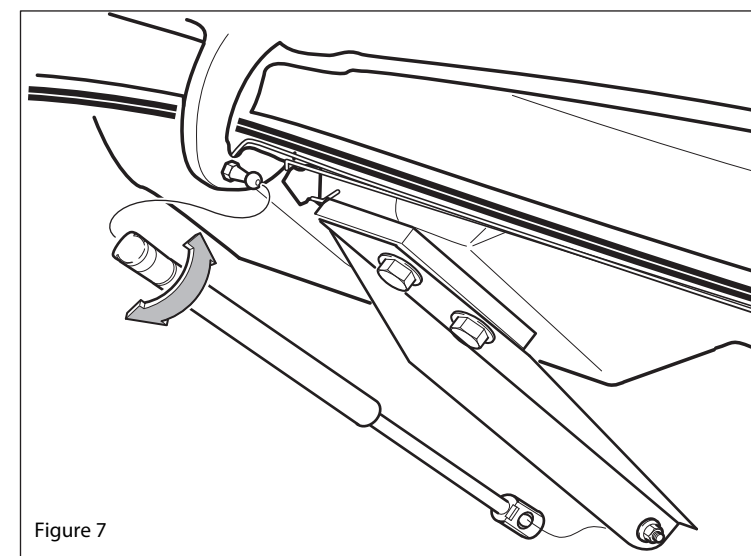
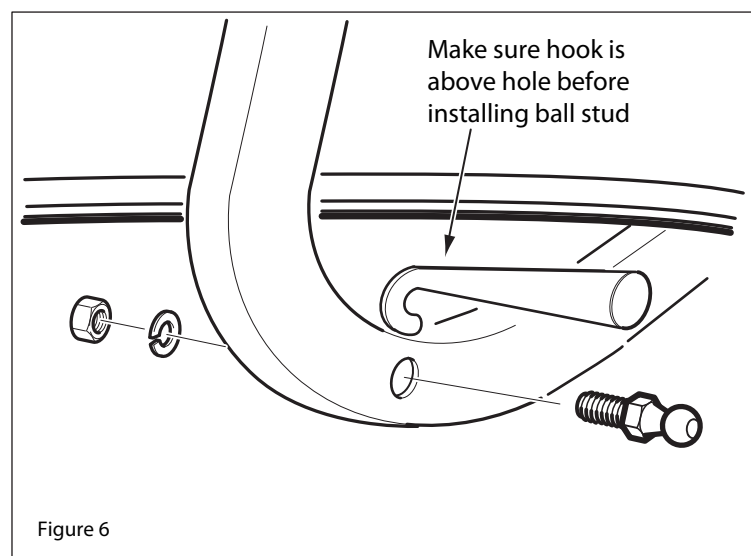
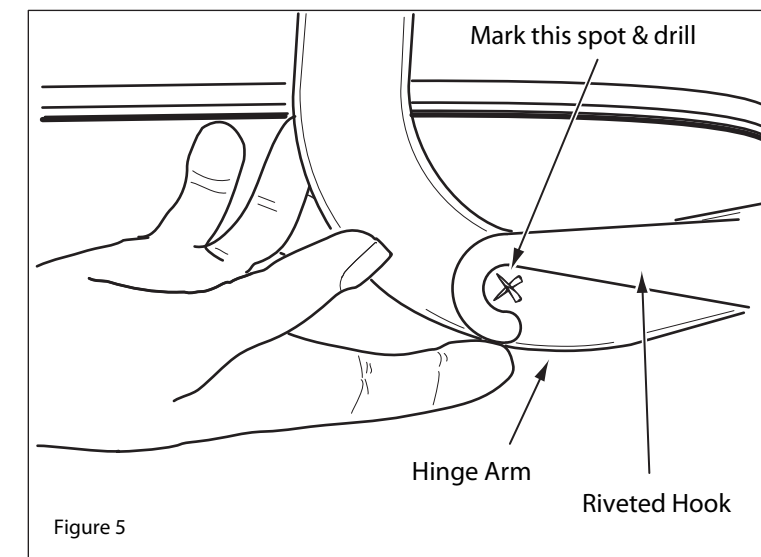
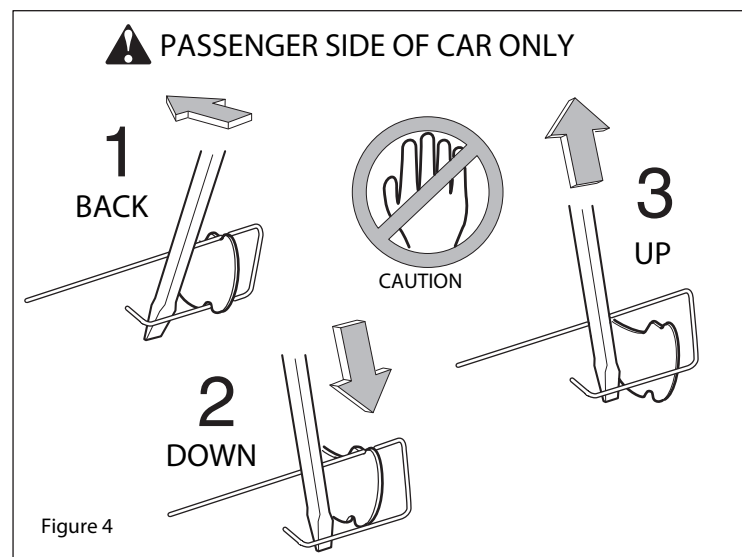
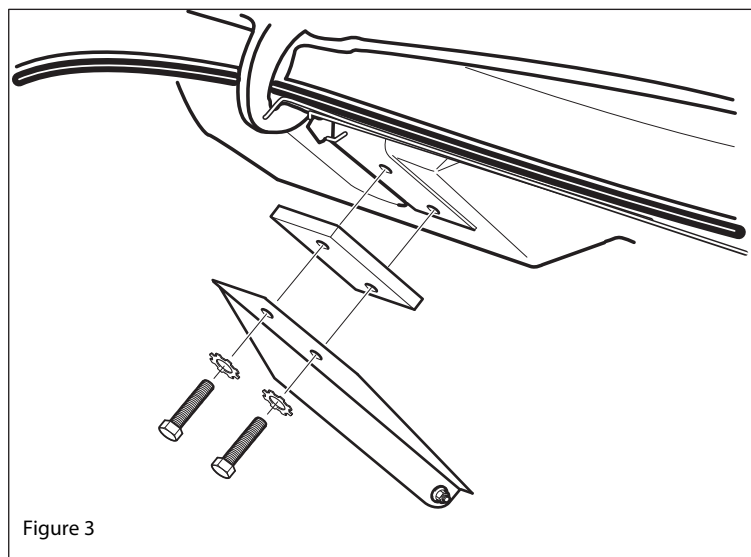


Figure 2

Miata

Trunk Lift

by Clark & Clark
SPECIALTY PRODUCTS, INC.



#P1078revC pg2

